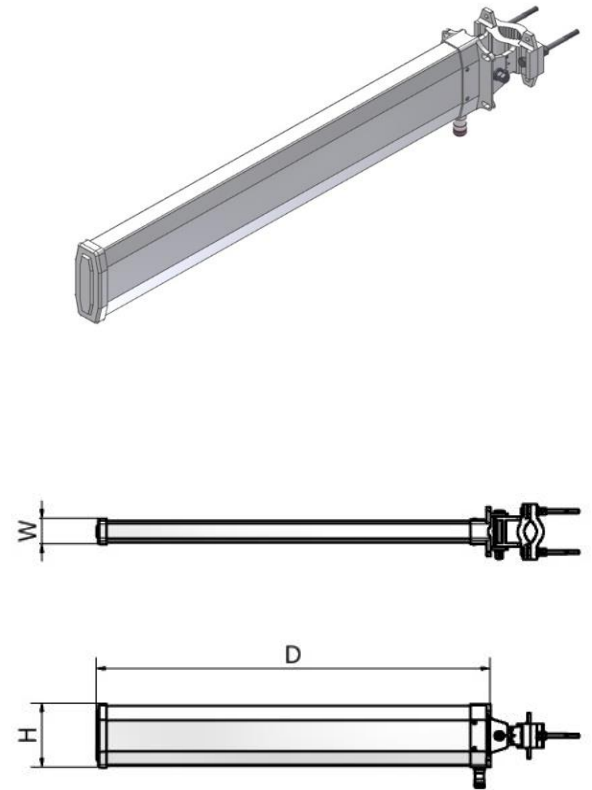


Multi-Band Yagi Antenna

819~960, 1710~2690, 3350~3900MHz / 5dBi, 11dBi, 12dBi

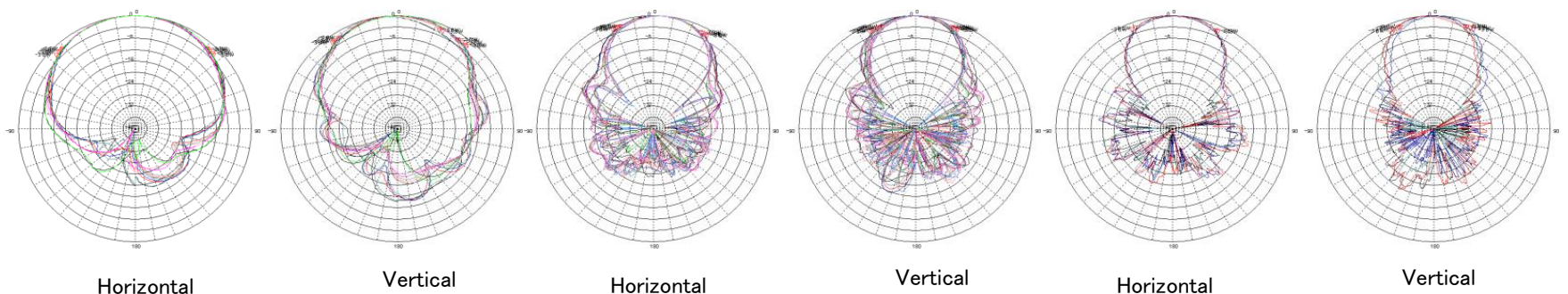
Yagi_5dBi_3.5Ghz

| i. Electrical Specification | | | | |
|-----------------------------|------------|-------------|-----------|---------|
| Frequency Range (MHz) | 819 ~ 960 | 1710 ~ 2690 | 3350~3900 | |
| Polarization | V | V | V | |
| Band Width | 141 MHz | 980 MHz | 550 MHz | |
| Gain | ≥ 5dBi | ≥ 11dBi | ≥ 12dBi | |
| Beam width | Horizontal | 70°~130° | 35°~60° | 30°~70° |
| | Vertical | 50°~90° | 30°~55° | 30°~60° |
| F-B ratio @180 ± 30° | Horizontal | 10dB | 15dB | 15dB |
| | Vertical | 10dB | 15dB | 15dB |
| VSWR | 1 : 1.6 | 1 : 1.5 | 1 : 1.5 | |
| Impedance | 50 Ω | | | |
| Maximum input power | 200 W | 200 W | 200 W | |



| ii. Mechanical Specification | |
|------------------------------|--|
| Radom Dimension (WxDxH) | 40 x 100 x 620 mm (LGU+규격: 50 x 210 x 750 mm) |
| Weight (without clamp) | ≤ 3Kg |
| Connector Type | N-Female x 1 |
| Withstand Wind Pressure | 30 m/s |
| Radome Material | ASA |

iii. Radiation Pattern



Low Band

High Band

3.5G Band